

# CURRENT TRANSFORMERS

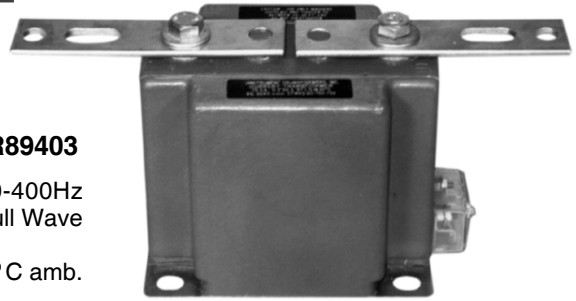
## MEDIUM VOLTAGE CURRENT TRANSFORMER

MODEL  
CTWH3-60-T50

### FEATURES

- UL Recognized
- Metering and Relay Class (T50)
- Short circuiting secondary terminal cover
- Vacuum cast in polyurethane resin
- FOR INDOOR USE ONLY.

### 5KV CLASS



### SPECIFICATIONS

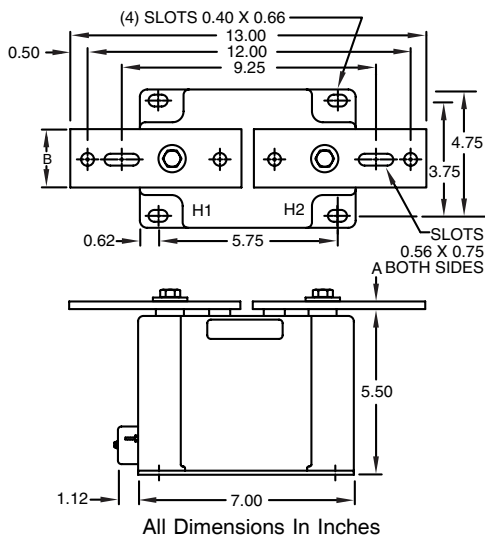
Frequency ..... 50-400Hz  
 Insulation Level ..... 5.6kV, BIL 60 kV Full Wave  
 Continuous Thermal Current Rating Factor  
 1.50 at 30° C amb., 1.33 at 55° C amb.

Except  
 250:5 ..... 1.00 at 30° C amb., 0.85 at 55° C amb.  
 150:5 and 600:5 ..... 1.33 at 30° C amb., 1.00 at 55° C amb.  
 Primary Terminals ..... 1/2-13 Bolts with one Belleville washer  
 Secondary Terminals ..... Brass Studs No. 10-32  
 one flatwasher, lockwasher and regular nut  
 Weight ..... 20 lbs.

### APPLICATION AND ORDERING DATA

CATALOG NUMBER	CURRENT RATIO	RELAY CLASS	ANSI METERING CLASS AT 60 HZ					** THERMAL CURRENT RATING 1 SECOND RMS AMPS
			B0.1	B0.2	B0.5	B0.9	B1.8	
CTWH3-60-T50-050	5:5	T50	0.3	0.3	0.3	0.6	1.2	375
CTWH3-60-T50-100	10:5	T50	0.3	0.3	0.3	0.6	1.2	1000
CTWH3-60-T50-150	15:5	T50	0.3	0.3	0.3	0.6	1.2	1690
CTWH3-60-T50-200	20:5	T50	0.3	0.3	0.3	0.6	1.2	1900
CTWH3-60-T50-250	25:5	T50	0.3	0.3	0.3	0.6	1.2	2700
CTWH3-60-T50-300	30:5	T50	0.3	0.3	0.3	0.6	1.2	2700
CTWH3-60-T50-400	40:5	T50	0.3	0.3	0.3	0.6	1.2	4720
CTWH3-60-T50-500	50:5	T50	0.3	0.3	0.3	0.6	1.2	4720
CTWH3-60-T50-750	75:5	T50	0.3	0.3	0.3	0.6	1.2	8630
CTWH3-60-T50-101	100:5	T50	0.3	0.3	0.3	0.6	1.2	8630
CTWH3-60-T50-151	150:5	T50	0.3	0.3	0.3	0.6	1.2	14380
CTWH3-60-T50-201	200:5	T50	0.3	0.3	0.3	0.6	1.2	17250
CTWH3-60-T50-251	250:5	T50	0.3	0.3	0.3	0.6	1.2	17250
CTWH3-60-T50-301	300:5	T50	0.3	0.3	0.3	0.6	1.2	37800
CTWH3-60-T50-401	400:5	T50	0.3	0.3	0.3	0.6	1.2	37800
CTWH3-60-T50-501	500:5	T50	0.3	0.3	0.3	0.6	1.2	37800
CTWH3-60-T50-601	600:5	T50	0.3	0.3	0.3	0.6	1.2	37800

### CTWH3-60-T50 DIMENSIONS

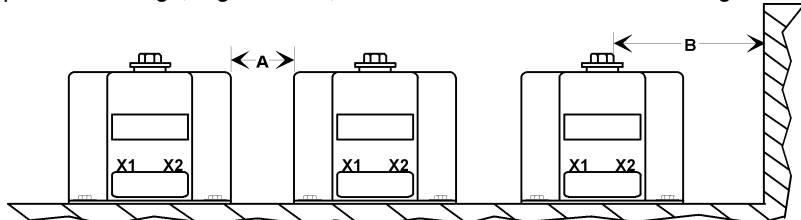


### BAR SIZES

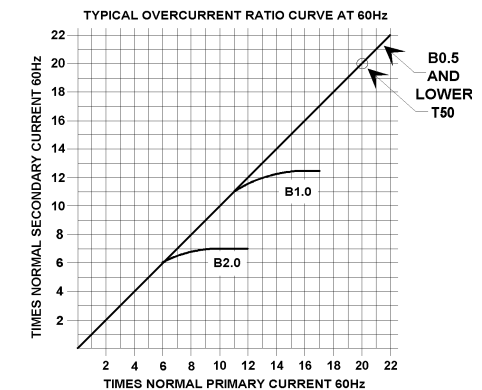
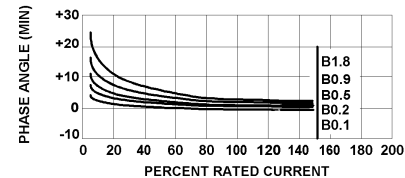
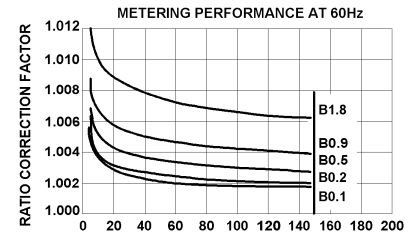
PRIMARY CURRENT	DIMENSIONS	
	A	B
5 to 150A	0.19	1.50
200 to 600A	0.25	2.00

### RECOMMENDED MINIMUM SPACING

A ... Unit to Unit = 0.75" minimum  
 B ... HV to Ground in Air = 3.00" minimum  
 Recommended spacings are for guidance only. User needs to set appropriate values to assure performance for high potential test, impulse test, high humidity, partial discharge, high altitude, and other considerations like configuration.



**\*CAUTION\*** USE ONLY THE BELLEVILLE WASHERS SUPPLIED.  
 TIGHTEN TO BETWEEN 25 TO 30 FOOTPOUNDS. DO NOT OVERTIGHTEN.



**FLEX-CORE®**  
 Div. Morlan & Associates, Inc.  
 6625 McVey Blvd. Columbus, Ohio 43235

WWW.FLEX-CORE.COM  
 sales@flex-core.com

PHONE (614) 889-6152  
 TECH. ASSISTANCE (614) 876-8308  
 FAX # (614) 876-8538